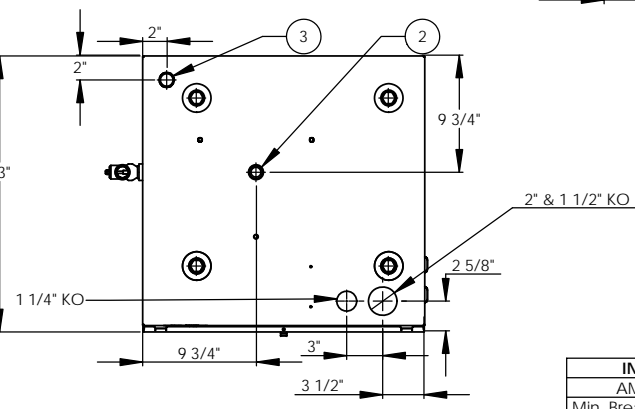
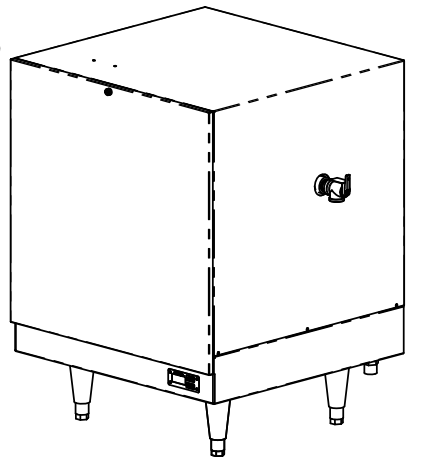
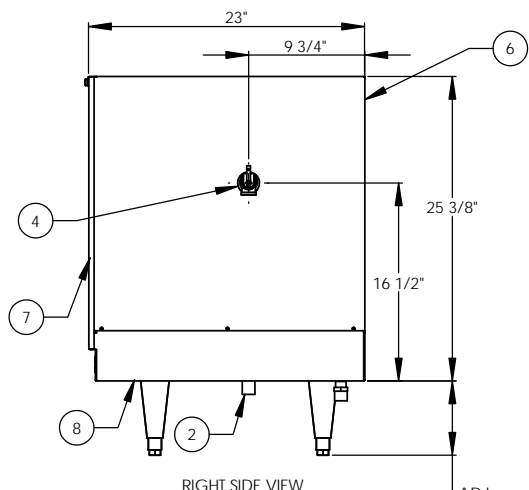
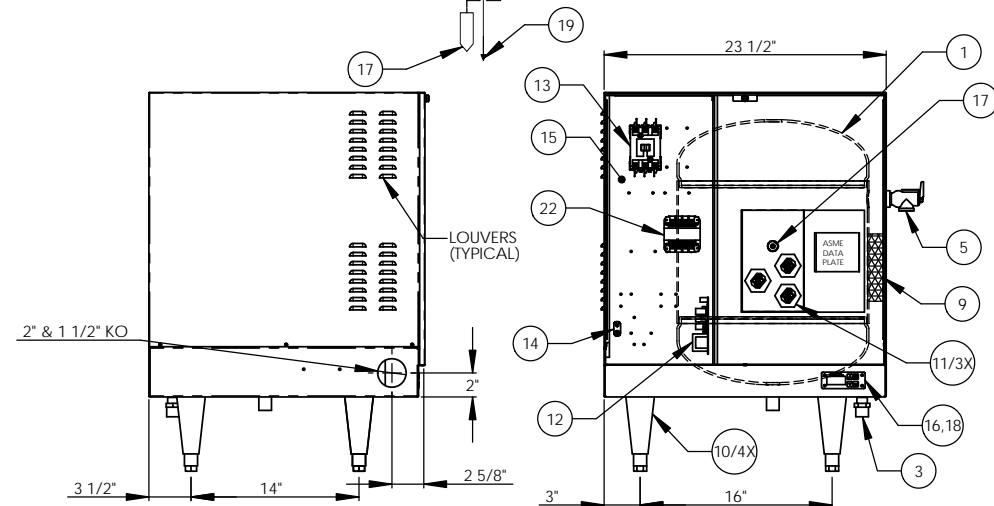
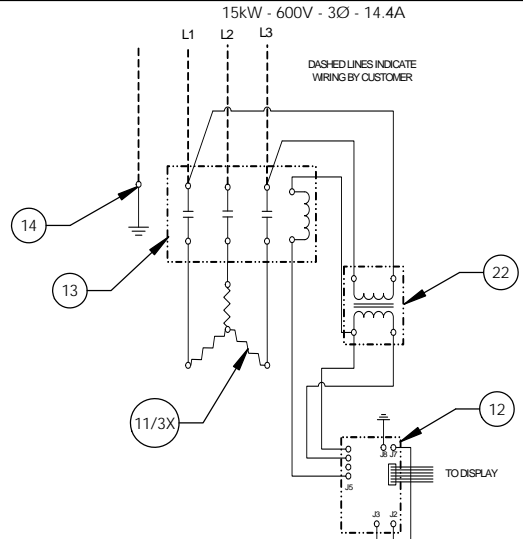


8 7 6 5 4 3 2 1

| ITEM NO. | QTY | PART NO.          | MATERIAL                   | DESCRIPTION  |
|----------|-----|-------------------|----------------------------|--|
| 1        | 1   | J16-6 TANK        | 304L S/S                   | 16 GALLON VESSEL ASSEMBLY                              |
| 2        | 1   | J16 INLET         | 304 S/S                    | 3/4" MNPT INLET  |
| 3        | 1   | J16 OUTLET        | COPPER                     | 3/4" MNPT OUTLET                                       |
| 4        | 1   |                   | 304L S/S                   | 3/4" FNPT FOR RELIEF VALVE                             |
| 5        | 1   | 100XL_75 150LB    | BRONZE                     | RELIEF VALVE SET AT 150PSI, 210°F                      |
| 6        | 1   | J16 JACKET        | 304 S/S                    | TOP COVER ASSEMBLY                                     |
| 7        | 1   | J16 FRONT COVER   | 304 S/S                    | FRONT COVER ASSEMBLY                                   |
| 8        | 1   | J16 BASE          | 304 S/S                    | BASE ASSEMBLY  |
| 9        | 1   |                   | FOAM                       | FOAM INSULATION  |
| 10       | 4   | 61649NOBN514      | PLASTIC                    | ADJUSTABLE LEGS  |
| 11       | 3   | C1315-2           | BRASS PLUG & COPPER SHEATH | HEATING ELEMENT - 1-7/8" HEX 2000W @ 208V/5540W @ 600V |
| 12       | 1   | T1000             | VARIOUS                    | CONTROL MODULE   |
| 13       | 1   | C25DNF315B        | VARIOUS                    | MAGNETIC CONTACTOR 20A (RESISTIVE) - 240V              |
| 14       | 1   | KA8C              | COPPER                     | GROUND LUG   |
| 15       | 1   | J16 CONTROL PLATE | GALVANEEL                  | ELECTRICAL MOUNTING PANEL                              |
| 16       | 1   | TD1000            | VARIOUS                    | DIGITAL DISPLAY MODULE                                 |
| 17       | 1   | P65               | VARIOUS                    | PROBE ASSEMBLY   |
| 18       | 1   | OVERLAY J MODEL   | LEXAN                      | OVERLAY FOR DISPLAY MODULE                             |
| 19       | 1   |                   | VARIOUS                    | LEAK DETECTION SENSOR                                  |
| 20       | 1   | ITD405            | VARIOUS                    | T&P GAUGE 30-240°F/0-200PSI                            |
| 21       | 1   | N45BU             | BRONZE                     | PRESS REDUCING VALVE 25-75PSI                          |
| 22       | 1   | B050-3350-3       | VARIOUS                    | TRANSFORMER 50VA 600V/195V                             |

| REVISIONS |     | DATE        | APPROVED |
|-----------|-----|-------------|----------|
| ZONE      | REV | DESCRIPTION |          |



| INSTALLATION REQUIREMENTS |              |
|---------------------------|--------------|
| AMP Draw                  | 14.4         |
| Min. Breaker/Fuse Size    | 20 AMP       |
| Cu Power Feed Wire        | #12 AWG THHN |
| Min. Power Conduit        | 1/2"         |
| Wiring Diagram            | 14           |

**ELECTRICAL NOTES:**  
 1. POWER FEED WIRE SIZING IS BASED ON 75°C Cu THHN WIRE WITH FEEDER BRANCH PROTECTION AT 125%.  
 2. REFERENCE INSTALLATION, OPERATION, AND MAINTENANCE MANUAL FOR COMPLETE INSTALLATION INSTRUCTIONS. '1

- NOTES:**
- TANK IS DESIGNED, FABRICATED, AND STAMPED IAW ASME SECTION VIII CODE, LATEST ADDENDA.
  - TANK IS DESIGNED FOR 150PSI AND PRESSURE TESTED AT 225PSI.
  - PROBE ASSEMBLY (Pc. No. 17) PROVIDES TEMPERATURE CONTROL, HI-LIMIT, AND LOW WATER SENSING.
  - UNIT IS UL, CUL, AND UL EPH LISTED.
  - PIECE NOS. 5, 10, 20, & 21 ARE SHIPPED LOOSE.
  - CONTROL CIRCUIT WIRE TO BE #18 TEFZEL 750 (200°C). POWER CIRCUIT WIRE TO BE #12 TEFZEL 750 (200°C). ELEMENT JUMPER WIRE TO BE #12 TEFZEL 750 (200°C).
  - PHASE TO PHASE RESISTANCE: 47.1 OHMS
  - APPROXIMATE WEIGHT:  
 DRY: 128 LBS.  
 WET: 261 LBS.
  - DERATE TO 14.04KW FOR 575V.

| DRAWN      | DATE        | NAME         | Stratford, CT 06615  |
|------------|-------------|--------------|--|
| 2/21/05    | SCL         |              | (203) 378-2659   |
| CHECKED    | 2/21/05     | WEN/III      | <b>The Electric Heater Company</b>   |
| ENG APPR   | 2/21/05     | PRD          | Customer:  |
| MFG APPR   | 2/21/05     | CHD          | Description: J MODEL BOOSTER HEATER<br>J161516 - 16 GALLON<br>15kW - 600V - 3Ø |
| SIZE       | DWG. NO.    | REV          |  |
| C          | J161516     |              |  |
| SCALE: 1:8 | FSCM: 19857 | SHEET 1 OF 1 |  |

PROPRIETARY AND CONFIDENTIAL  
 THE INFORMATION CONTAINED IN THIS DRAWING IS THE SOLE PROPERTY OF THE ELECTRIC HEATER COMPANY. ANY REPRODUCTION IN PART OR AS A WHOLE WITHOUT THE WRITTEN PERMISSION OF THE ELECTRIC HEATER COMPANY IS PROHIBITED.

DIMENSIONS ARE IN INCHES  
 TOLERANCES:  
 (UNLESS OTHERWISE SPECIFIED)  
 FRACTIONAL: 1/16"  
 ANGULAR: MACH ±1/2° BEND ±1°  
 TWO PLACE DECIMAL: ±0.01  
 THREE PLACE DECIMAL: ±0.005

F  
E  
D  
C  
B  
A

8 7 6 5 4 3 2 1