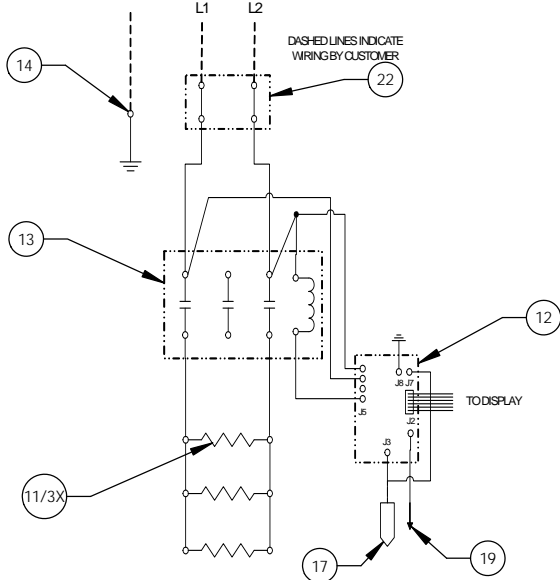
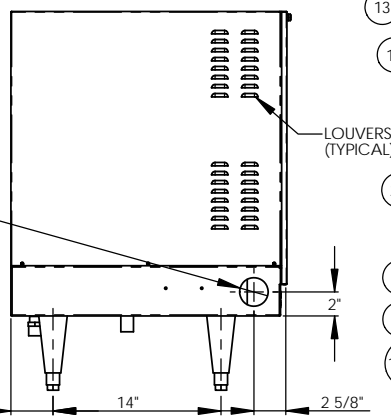


18kW - 208V - 1Ø - 86.5A

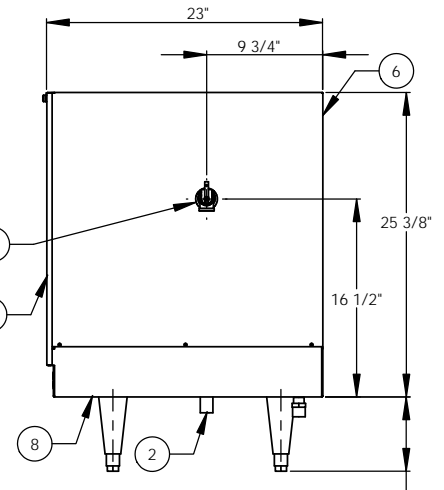


| ITEM NO. | QTY | PART NO. | MATERIAL | DESCRIPTION |
|----------|-----|-------------------|----------------------------|---|
| 1 | 1 | J16-6 TANK | 304L S/S | 16 GALLON VESSEL ASSEMBLY |
| 2 | 1 | J16 INLET | 304 S/S | 3/4" MNPT INLET |
| 3 | 1 | J16 OUTLET | COPPER | 3/4" MNPT OUTLET |
| 4 | 1 | | 304L S/S | 3/4" FNPT FOR RELIEF VALVE |
| 5 | 1 | 100XL .75 150LB | BRONZE | RELIEF VALVE SET AT 150PSI, 210°F |
| 6 | 1 | J16 JACKET | 304 S/S | TOP COVER ASSEMBLY |
| 7 | 1 | J16 FRONT COVER | 304 S/S | FRONT COVER ASSEMBLY |
| 8 | 1 | J16 BASE | 304 S/S | BASE ASSEMBLY |
| 9 | 1 | | FOAM | INSULATION |
| 10 | 4 | 61649NOBN514 | PLASTIC | ADJUSTABLE LEGS |
| 11 | 3 | C1315-5 | BRASS PLUG & COPPER SHEATH | HEATING ELEMENT - 1-7/8" HEX 6000W @ 208V |
| 12 | 1 | T1000 | VARIOUS | CONTROL MODULE |
| 13 | 1 | C25FN375B | VARIOUS | MAGNETIC CONTACTOR 90A (RESISTIVE) - 240V |
| 14 | 1 | KA8C | COPPER | GROUND LUG |
| 15 | 1 | J16 CONTROL PLATE | GALVANEEL | ELECTRICAL MOUNTING PANEL |
| 16 | 1 | TD1000 | VARIOUS | DIGITAL DISPLAY MODULE |
| 17 | 1 | P65 | VARIOUS | PROBE ASSEMBLY |
| 18 | 1 | OVERLAY J MODEL | LEXAN | OVERLAY FOR DISPLAY MODULE |
| 19 | 1 | | VARIOUS | LEAK DETECTION SENSOR |
| 20 | 1 | ITD405 | VARIOUS | T&P GAUGE 30-240°F/0-200PSI |
| 21 | 1 | N45BU | BRONZE | PRESS REDUCING VALVE 25-75PSI |
| 22 | 1 | PDB175-1X4-2 | VARIOUS | POWER DISTRIBUTION BLOCK 175A, 2-POLE, 1 PRIM, 4 SEC. |

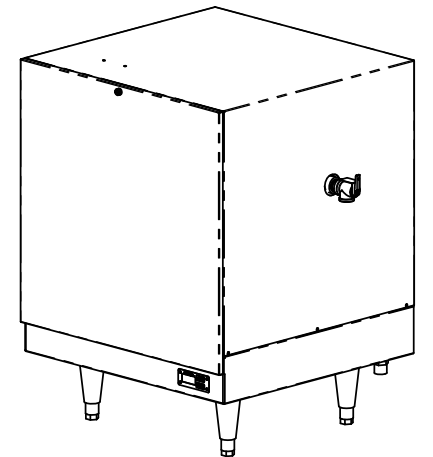
| ZONE | REV | DESCRIPTION | DATE | APPROVED |
|------|------|-------------|------|----------|
| | ---- | | | |



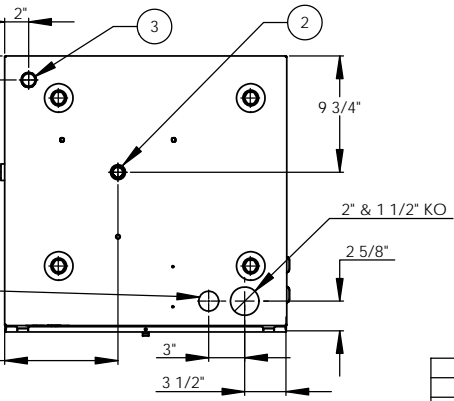
FRONT VIEW (WITH COVER REMOVED)



RIGHT SIDE VIEW



ADJ. 6" TO 8"



BOTTOM VIEW

| INSTALLATION REQUIREMENTS | |
|---------------------------|-------------|
| AMP Draw | 86.5 |
| Min. Breaker/Fuse Size | 110 AMP |
| Cu Power Feed Wire | #2 AWG THHN |
| Min. Power Conduit | 1" |
| Wiring Diagram | 4 (DB) |

ELECTRICAL NOTES:
 1. POWER FEED WIRE SIZING IS BASED ON 75°C CU THHN WIRE WITH FEEDER BRANCH PROTECTION AT 125%.
 2. REFERENCE INSTALLATION, OPERATION, AND MAINTENANCE MANUAL FOR COMPLETE INSTALLATION INSTRUCTIONS.

- NOTES:**
- TANK IS DESIGNED, FABRICATED, AND STAMPED IAW ASME SECTION VIII CODE, LATEST ADDENDA.
 - TANK IS DESIGNED FOR 150PSI AND PRESSURE TESTED AT 225PSI.
 - PROBE ASSEMBLY (Pc. No. 17) PROVIDES TEMPERATURE CONTROL, HI-LIMIT, AND LOW WATER SENSING.
 - UNIT IS UL, CUL, AND UL EPH LISTED.
 - PIECE NOS. 5, 10, 20, & 21 ARE SHIPPED LOOSE.
 - CONTROL CIRCUIT WIRE TO BE #18 TEFZEL 750 (200°C), POWER CIRCUIT WIRE TO BE #6 TEFZEL 750 (200°C), ELEMENT JUMPER WIRE TO BE #8 TEFZEL 750 (200°C).
 - PHASE TO PHASE RESISTANCE: 2.4 OHMS
 - APPROXIMATE WEIGHT:
 DRY: 128 LBS.
 WET: 261 LBS.

| DRAWN | DATE | NAME | DESCRIPTION |
|----------|---------|--------|-------------------------------------|
| | 2/26/03 | PRD | J1618RS - 16 GALLON |
| CHECKED | 2/26/03 | WENIII | 18kW - 208V - 1Ø |
| ENG APPR | 2/26/03 | PRD | Customer: |
| MFG APPR | 2/26/03 | CHD | Description: J MODEL BOOSTER HEATER |

| SIZE | DWG. NO | REV |
|------|---------|-----|
| C | J1618RS | - |

| | | |
|------------|-------------|--------------|
| SCALE: 1:8 | FSCM: 19857 | SHEET 1 OF 1 |
|------------|-------------|--------------|

PROPRIETARY AND CONFIDENTIAL
 THE INFORMATION CONTAINED IN THIS DRAWING IS THE SOLE PROPERTY OF THE ELECTRIC HEATER COMPANY. ANY REPRODUCTION IN PART OR AS A WHOLE WITHOUT THE WRITTEN PERMISSION OF THE ELECTRIC HEATER COMPANY IS PROHIBITED.

DIMENSIONS ARE IN INCHES
 TOLERANCES:
 (UNLESS OTHERWISE SPECIFIED)
 FRACTIONAL: 1/16"
 ANGULAR: MACH ±1/2° BEND ±1°
 TWO PLACE DECIMAL: ±0.01
 THREE PLACE DECIMAL: ±0.005

Hubbell Stratford, CT 06615
 (203) 378-2659
The Electric Heater Company