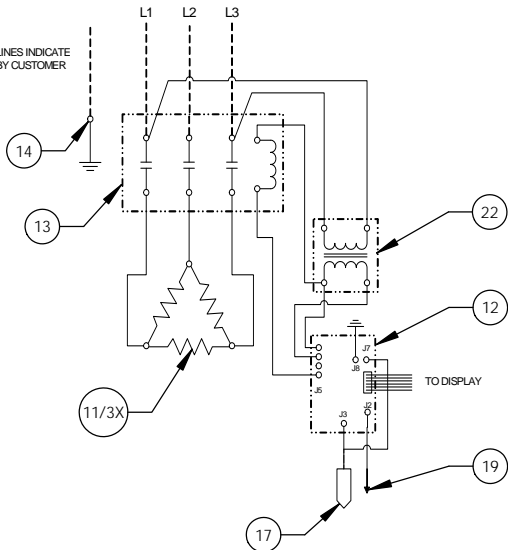


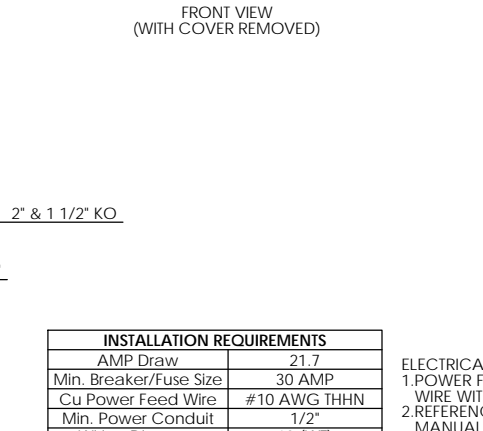
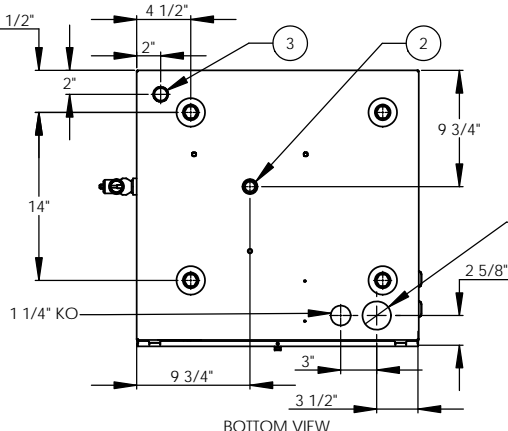
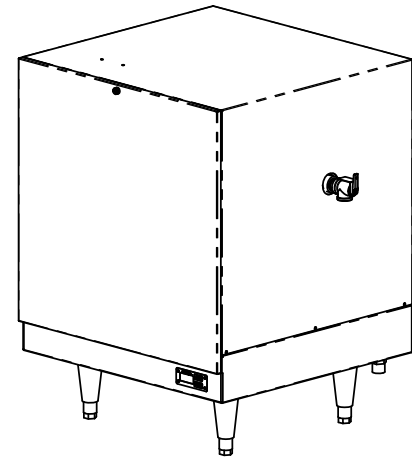
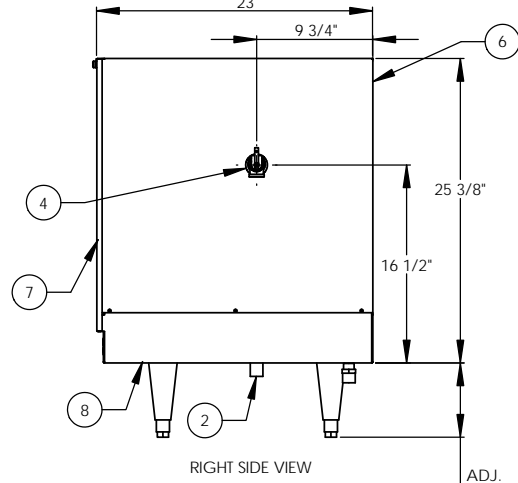
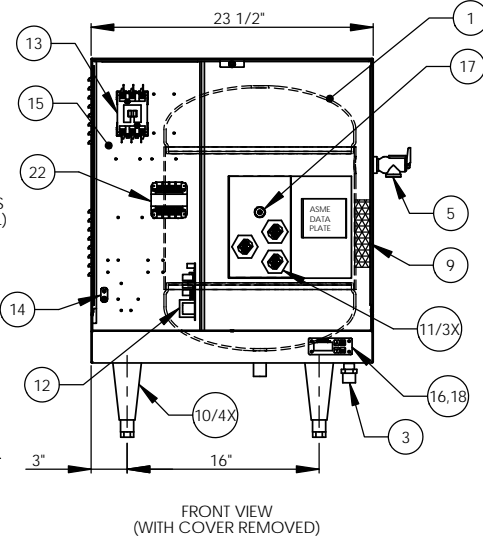
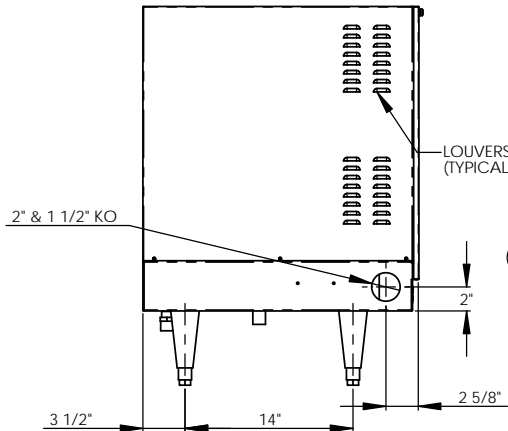
18kW - 480V - 3Ø - 21.7A

DASHED LINES INDICATE WIRING BY CUSTOMER



| ITEM NO. | QTY. | PART NO. | MATERIAL | DESCRIPTION |
|----------|------|-------------------|----------------------------|---|
| 1 | 1 | J16-6 TANK | 304L S/S | 16 GALLON VESSEL ASSEMBLY |
| 2 | 1 | J16 INLET | 304 S/S | 3/4" MNPT INLET |
| 3 | 1 | J16 OUTLET | COPPER | 3/4" MNPT OUTLET |
| 4 | 1 | | BRONZE | 3/4" FNPT FOR RELIEF VALVE |
| 5 | 1 | 100XL 75 150LB | BRONZE | RELIEF VALVE SET AT 150PSI, 210°F |
| 6 | 1 | J16 JACKET | 304 S/S | TOP COVER ASSEMBLY |
| 7 | 1 | J16 FRONT COVER | 304 S/S | FRONT COVER ASSEMBLY |
| 8 | 1 | J16 BASE | 304 S/S | BASE ASSEMBLY |
| 9 | 1 | | FOAM | INSULATION |
| 10 | 4 | 61649NOBN5T4 | PLASTIC | ADJUSTABLE LEGS |
| 11 | 3 | C1315-29 | BRASS PLUG & COPPER SHEATH | HEATING ELEMENT - 1-7/8" HEX 6000W @ 480V |
| 12 | 1 | T1000 | VARIOUS | CONTROL MODULE |
| 13 | 1 | C25DNF330B | VARIOUS | MAGNETIC CONTACTOR 40A (RESISTIVE) - 240V |
| 14 | 1 | KABC | COPPER | GROUND LUG |
| 15 | 1 | J16 CONTROL PLATE | GALVANEEL | ELECTRICAL MOUNTING PANEL |
| 16 | 1 | TD1000 | VARIOUS | DIGITAL DISPLAY MODULE |
| 17 | 1 | P65 | VARIOUS | PROBE ASSEMBLY |
| 18 | 1 | OVERLAY J MODEL | LEXAN | OVERLAY FOR DISPLAY MODULE |
| 19 | 1 | | VARIOUS | LEAK DETECTION SENSOR |
| 20 | 1 | TTD405 | VARIOUS | T&P GAUGE 30-240°F/0-200PSI |
| 21 | 1 | N45BU | BRONZE | PRESS REDUCING VALVE 25-75PSI |
| 22 | 1 | B050-3299-3 | VARIOUS | TRANSFORMER 50VA 480-208/240V |

| REVISIONS | | DATE | APPROVED |
|-----------|-----|-------------|----------|
| ZONE | REV | DESCRIPTION | |



- NOTES:
- TANK IS DESIGNED, FABRICATED, AND STAMPED IAW ASME SECTION VIII CODE, LATEST ADDENDA.
 - TANK IS DESIGNED FOR 150PSI AND PRESSURE TESTED AT 225PSI.
 - PROBE ASSEMBLY (Pc. No. 17) PROVIDES TEMPERATURE CONTROL, HI-LIMIT, AND LOW WATER SENSING.
 - UNIT IS UL, CUL, AND UL EPH LISTED.
 - PIECE NOS. 5, 10, 20, & 21 ARE SHIPPED LOOSE.
 - CONTROL CIRCUIT WIRE TO BE #18 TEFZEL 750 (200°C), POWER CIRCUIT WIRE TO BE #12 TEFZEL 750 (200°C), ELEMENT JUMPER WIRE TO BE #12 TEFZEL 750 (200°C).
 - PHASE TO PHASE RESISTANCE: 25.6 OHMS
 - APPROXIMATE WEIGHT: DRY: 128 LBS. WET: 261 LBS.

| INSTALLATION REQUIREMENTS | |
|---------------------------|--------------|
| AMP Draw | 21.7 |
| Min. Breaker/Fuse Size | 30 AMP |
| Cu Power Feed Wire | #10 AWG THHN |
| Min. Power Conduit | 1/2" |
| Wiring Diagram | 10 (WT) |

ELECTRICAL NOTES:
 1. POWER FEED WIRE SIZING IS BASED ON 75°C Cu THHN WIRE WITH FEEDER BRANCH PROTECTION AT 125%.
 2. REFERENCE INSTALLATION, OPERATION, AND MAINTENANCE MANUAL FOR COMPLETE INSTALLATION INSTRUCTIONS.

| DRAWN | DATE | NAME | PRD |
|----------|---------|-------|--|
| CHECKED | 2/26/03 | WENII | |
| ENG APPR | 2/26/03 | PRD | Customer: |
| MFG APPR | 2/26/03 | CHD | Description: J MODEL BOOSTER HEATER J161814 - 16 GALLON 18KW - 480V - 3Ø |

Hubbell Stratford, CT 06615 (203) 378-2659
 The Electric Heater Company

| SIZE | DWG. NO | REV |
|------|---------|-----|
| C | J161814 | - |

SCALE: 1:8 FSCM: 19857 SHEET 1 OF 1

PROPRIETARY AND CONFIDENTIAL
 THE INFORMATION CONTAINED IN THIS DRAWING IS THE SOLE PROPERTY OF THE ELECTRIC HEATER COMPANY. ANY REPRODUCTION IN PART OR AS A WHOLE WITHOUT THE WRITTEN PERMISSION OF THE ELECTRIC HEATER COMPANY IS PROHIBITED.

DIMENSIONS ARE IN INCHES
 TOLERANCES:
 (UNLESS OTHERWISE SPECIFIED)
 FRACTIONAL: ±1/16"
 ANGULAR: MACH ±1/2° BEND ±1°
 TWO PLACE DECIMAL: ±0.01
 THREE PLACE DECIMAL: ±0.005