



Compact Point-of-Use Electric Heater

1 gallon, 1000 watts,
120 volt, single phase

The Hubbell Expeditor Series is designed to save you time and money. All Expeditor products are easy to install and service.

- Stainless Steel tank and a low watt density heating element provide long service life
- Reliable, trouble-free design
- Space saving design requires no floor space and is acceptable for use in ADA compliant installations
- Low amperage design reduces peak power consumption and installation costs
- 304 Stainless Steel Exterior
- Point of use installation installs directly to cold water piping
- Thermostat provides accurate temperature control
- No flow restrictor or special aerator required
- Easily installed using 120V 1 phase power

Applications

Restaurants, schools, hospitals, casinos, country clubs, banquet centers, correctional facilities, food preparation facilities, wash room/lavatory sinks, hand sinks, remote locations, food carts, OEM applications, and much more.



J1SSA
EXPEDITOR SERIES

The Hubbell Expeditor J1SSA is a compact point-of-use water heater that does not take up any floor space and eliminates the need for long pipe runs from a central heater. It is simple to install, operates with all types of fixtures, does not require a flow restricting device and will not alter the performance or appearance of a fixture. The Expeditor J1SSA is ideal for many foodservice applications where point of use hot water is required. Its rugged construction ensures reliable and trouble free operation.

Reliability is not just a word for us – it's everything we do.

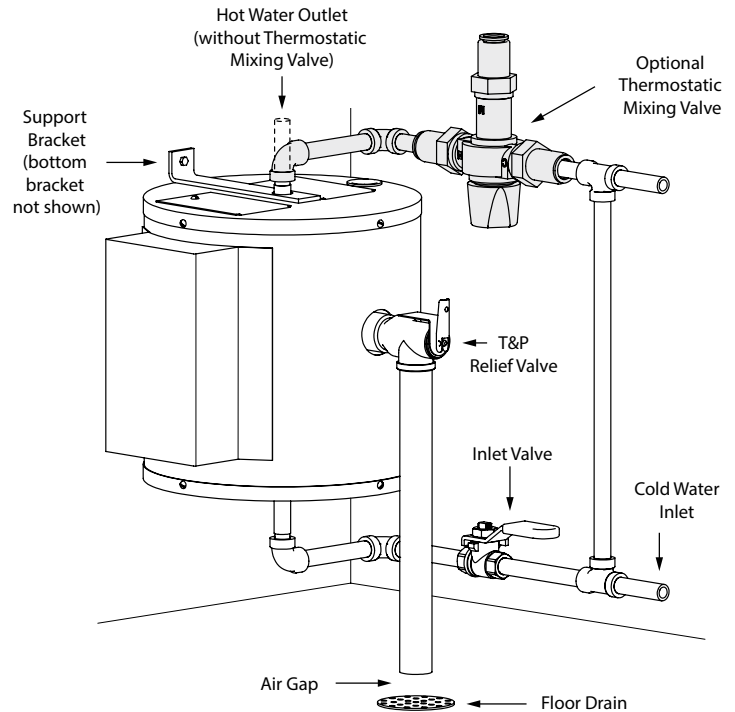
Hubbell Expeditor booster heaters are the right choice for your foodservice needs. For over a century, we have delivered solutions that stand up to the rigors of even the busiest kitchens. Contact us today and experience the Hubbell difference.



Heater Specifications

| | Watts | Amps | Volt | Phase | Recovery Rate No Thermostatic Mixing Valve | Recovery Rate With Thermostatic Mixing Valve |
|----------------|-------|------|------|-------|---|---|
| J1SSA | 1000 | 8.3 | 120 | 1 | 6.3 GPH | 11.5 GPH |
| JO.4SSA | 450 | 3.8 | 120 | 1 | 2.8 GPH | 6 GPH |

| | |
|-------------------------|---------------------------|
| Tank | Stainless Steel |
| Capacities | 1 gallon |
| Orientation | Vertical |
| Voltage | 120 Volt |
| Phases | 1 Phase |
| Connection Size: | |
| Inlet | 1/4" Male NPT |
| Outlet | 1/4" Male NPT |
| Relief Valve | 3/4" Female NPT |
| Thermostat Range | 110–170°F, graduated 1–10 |
| Hi-Limit | 190°F (fixed) |
| Design WP | 150 psi |
| Test Pressure | 300 psi |
| Element | Copper Sheathed |
| Insulation | 1" Fiberglass |
| Warranty | |
| Parts/Labor | 1 year |
| Tank | 5 year Non Pro-Rated |
| Jacket | 304 Stainless Steel |
| Shipping Weight | 15 lbs |



Available Accessories

10-year Warranty: 10-year non pro-rated tank warranty, specify part number VESSEL WARRANTY

Note: Alternate voltages available, consult factory

Optional Equipment

Note: Optional equipment must be called out in the written specifications, use the codes below.

Electrical

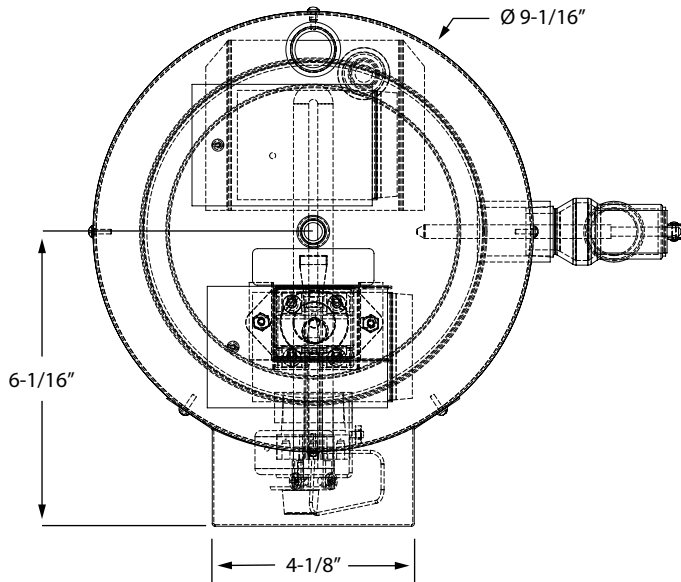
E10 Factory supplied 6 foot long grounded power cord

General

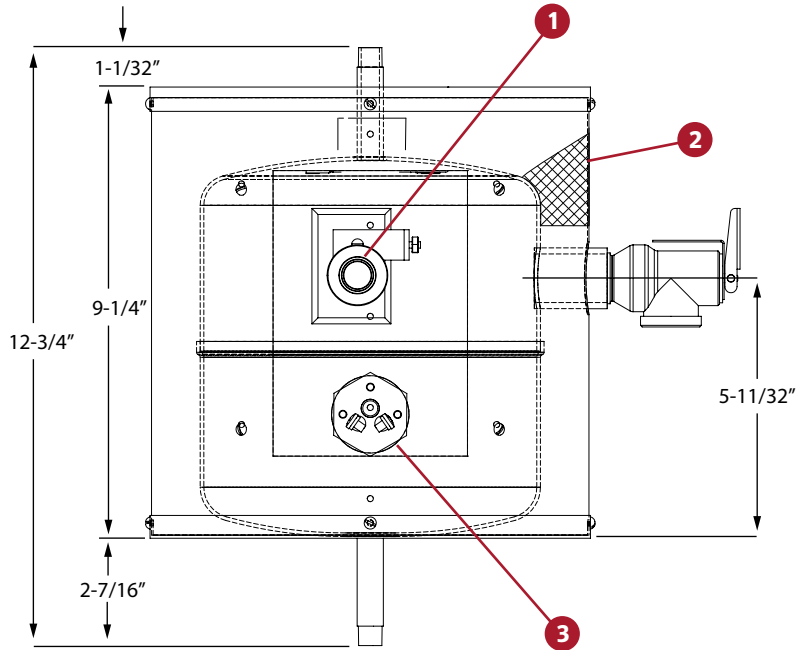
G50 Thermostatic mixing valve is 1/2" and adjustable from 100-130°F

Please note: Optional equipment may impact overall dimensions and weight. Please request submittal drawing from factory.

Dimensions

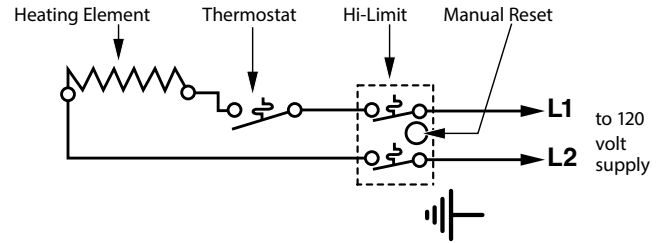


TOP VIEW

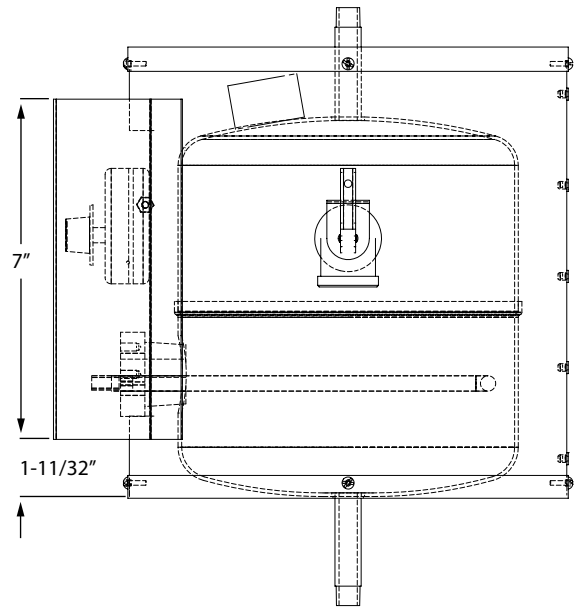


FRONT VIEW

Wiring Diagram



| PC Number | Description |
|-----------|------------------------------------|
| 1 | Thermostat 110–170°F |
| 2 | Insulation Fiberglass 1" Thick |
| 3 | Heating Element – 1000 Watts, 120V |



SIDE VIEW

Notes:

1. Unit rated for 150 psi WP
2. Recovery rated 6.3 GPH 45-110°F and will draw 8.3 amps at 120 V, 1 PH
3. Unit supplied with two (2) wall mounting brackets
4. Unit supplied with T&P relief valve set at 150 psi and 210°F



Complete Inventory Ready to Ship

Hubbell Expedito booster heaters are ready to ship same day when an order is received by the factory by 12:00pm EST.

800.647.3165
info@boosterheaters.com
boosterheaters.com

45 Seymour Street, P.O. Box 288, Stratford, CT 06615

